

LL6989 - Soda Aluminium Drink Bottle, 750mL Matte Finish - White, Yellow Orange, Red, Light Green, Teal, Light Blue, Dark Blue, Navy Blue, Black, Silver

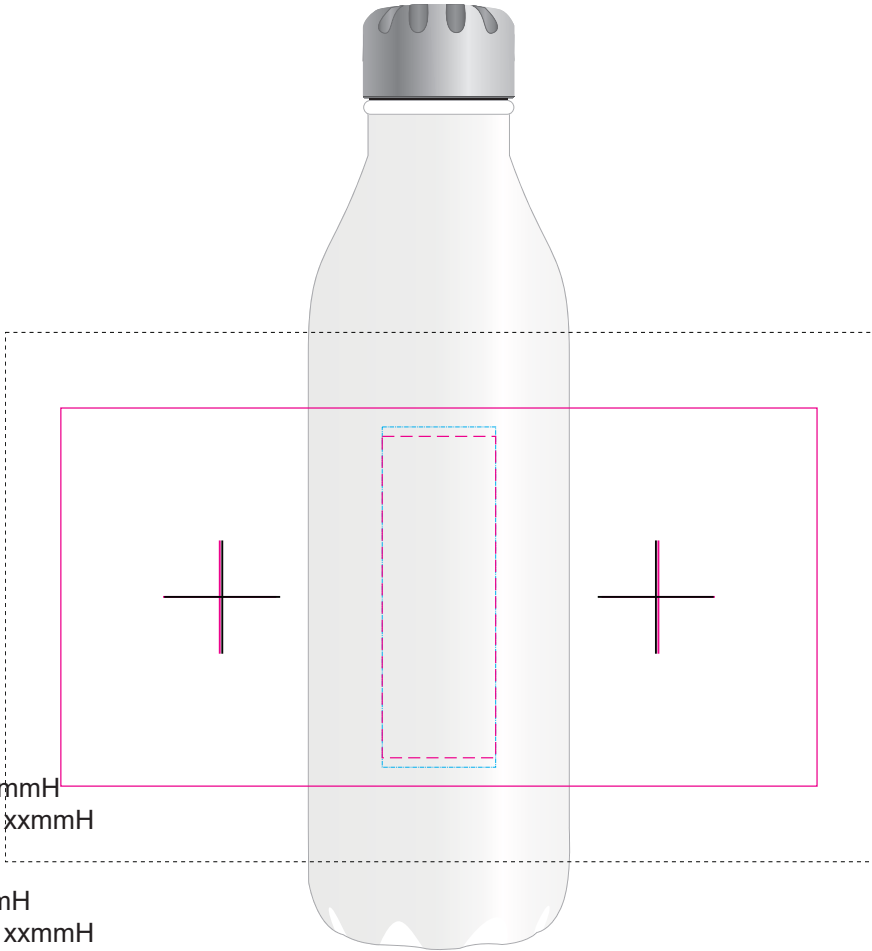
Roll Screen Print  PMS XXXc

Laser Engraved

Direct Digital 

Rotary Digital 

Below showing at 50% of size



Roll/Screen

Print Area: 200mmL x 100mmH
Actual print size: xxmmL x xxmmH

Digital

Print Area: 30mmL x 85mmH
Actual print size: xxmmL x xxmmH

Digital Rotary - Joined Wrap





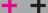
Print Area: 229.34mmL x 125mmH
Actual print size: xxmmL x xxmmH

Laser - Min Thickness required is 0.7mm

Print Area: 32mmLx 90mmH
Actual print size: xxmmL x xxmmH

Below showing at 15% of size



Finished print area - Roll/Screen	
Finished print area - Digital	
Finished print area - Digital Rotary	
Finished print area - Laser	
Approx opposite positions	

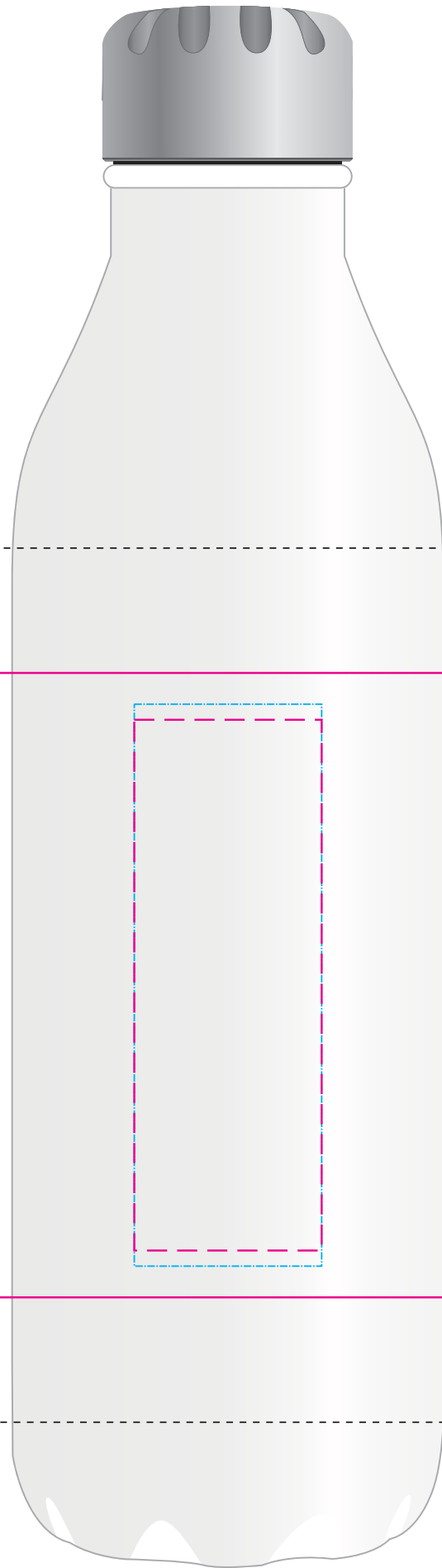
INT: _____
RPT SO: _____
QC: _____

Roll Screen Print  PMS XXXc

Laser Engraved

Direct Digital 

Rotary Digital 








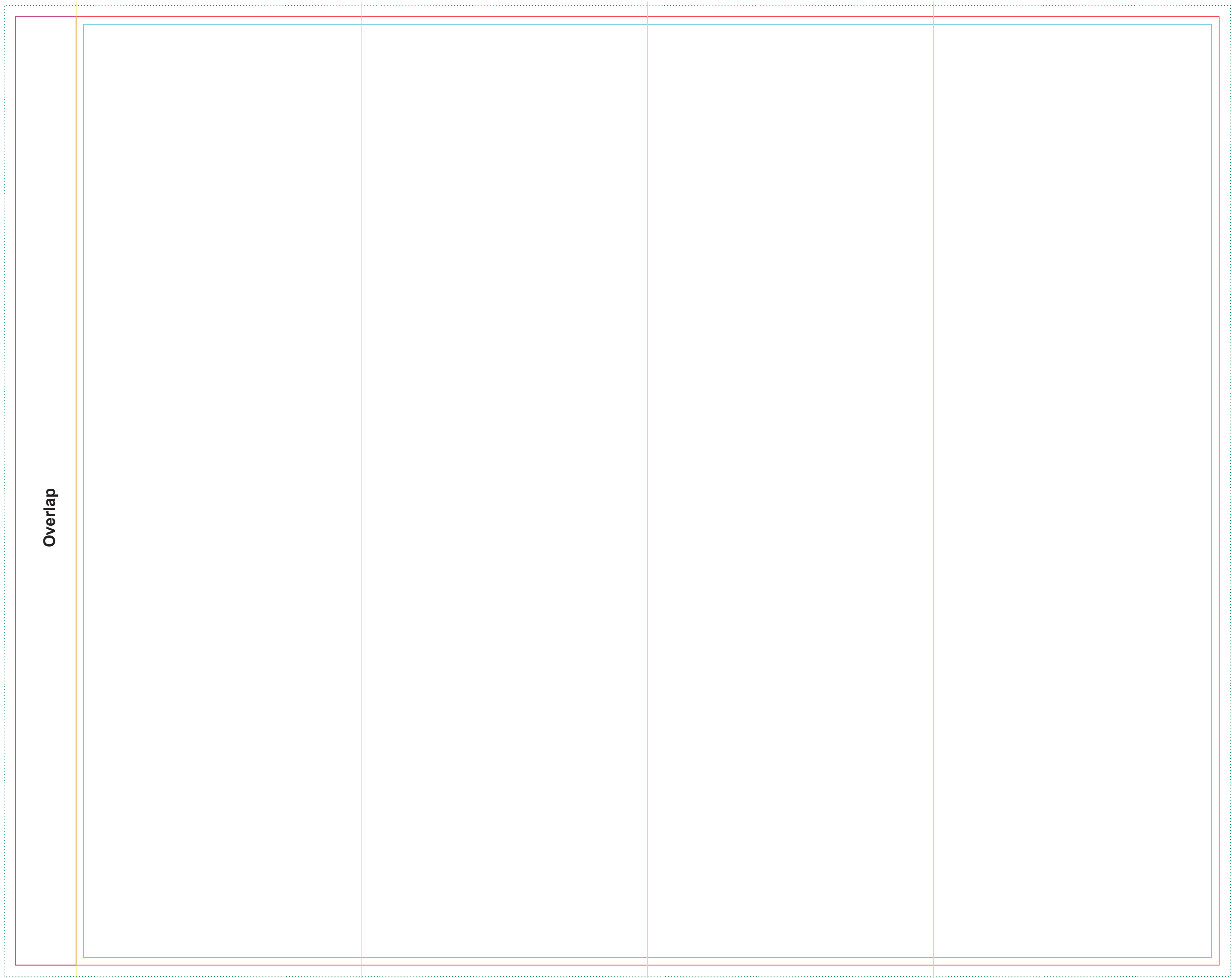
Roll/Screen
Print Area: 200mmL x 100mmH
Actual print size: xxmmL x xxmmH

Digital
Print Area: 30mmL x 85mmH
Actual print size: xxmmL x xxmmH

Digital Rotary - Joined Wrap
Print Area: 229.34mmL x 125mmH
Actual print size: xxmmL x xxmmH

Laser - Laser - Min Thickness required is 0.7mm
Print Area: 32mmL x 90mmH
Actual print size: xxmmL x xxmmH

Finished print area - Roll/Screen 
Finished print area - Digital 
Finished print area - Digital Rotary 
Finished print area - Laser 
Approx opposite positions 



Overlap

Digital Sleeve

Print Area: 320mmL x 252mmH

Actual print size: xxmmL x xxmmH

Finished print area	—
Max print area for copy & text	—
Bleed Requirement - 2mm	—
Folds	—