

LL6978 - Soda Vacuum Bottle with Hanger Lid - White, Orange, Yellow, Red, Light Green, Teal, Light Blue, Dark Blue, Navy Blue, Black, Silver

Screen/Roll Print  PMS XXXc

Laser Engraved

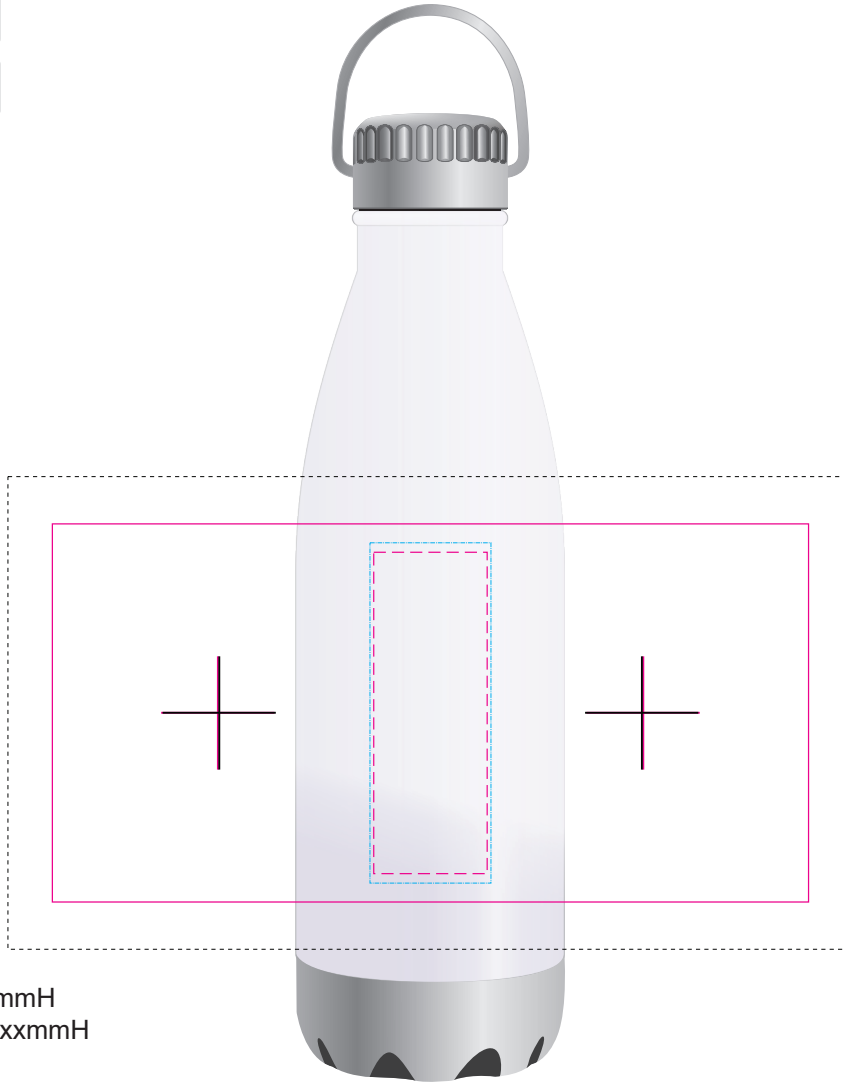
Direct Digital



Rotary Digital



Below showing at 50% of size



Roll/Screen

Print Area: 200mmL x 100mmH
Actual print size: xxmmL x xxmmH

Digital

Print Area: 30mmL x 85mmH
Actual print size: xxmmL x xxmmH

Digital Rotary - *Joined Wrap*

Print Area: 223.5mmL x 125mmH
Actual print size: xxmmL x xxmmH

Laser - *Min Thickness required is 0.7mm*

Print Area: 32mmL x 90mmH
Actual print size: xxmmL x xxmmH

Below showing at 15% of size



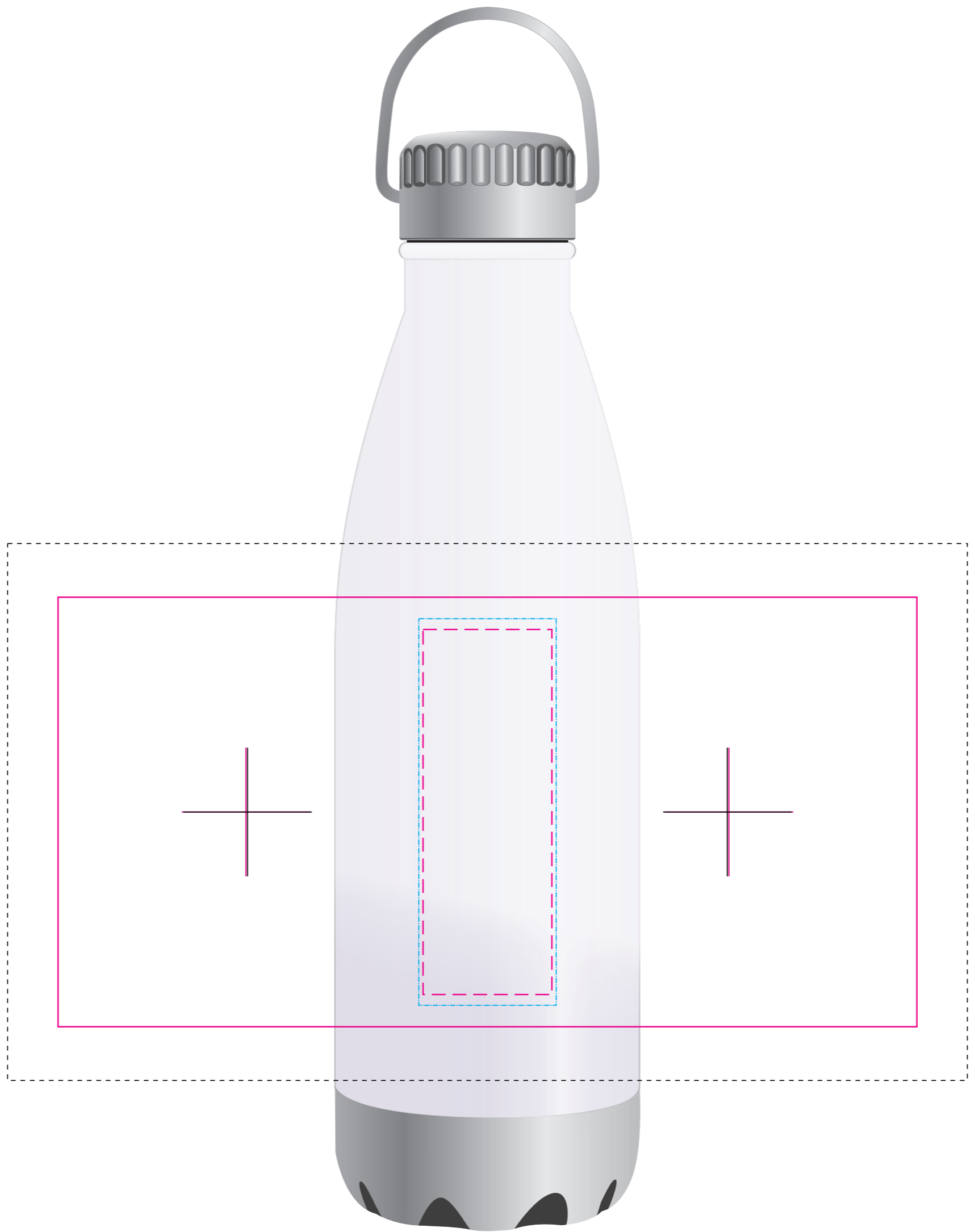
Finished print area - Roll/Screen	
Finished print area - Digital	
Finished print area - Digital Rotary	
Finished print area - Laser	
Approx opposite positions	

Screen/Roll Print  PMS XXXc

Laser Engraved

Direct Digital 

Rotary Digital 








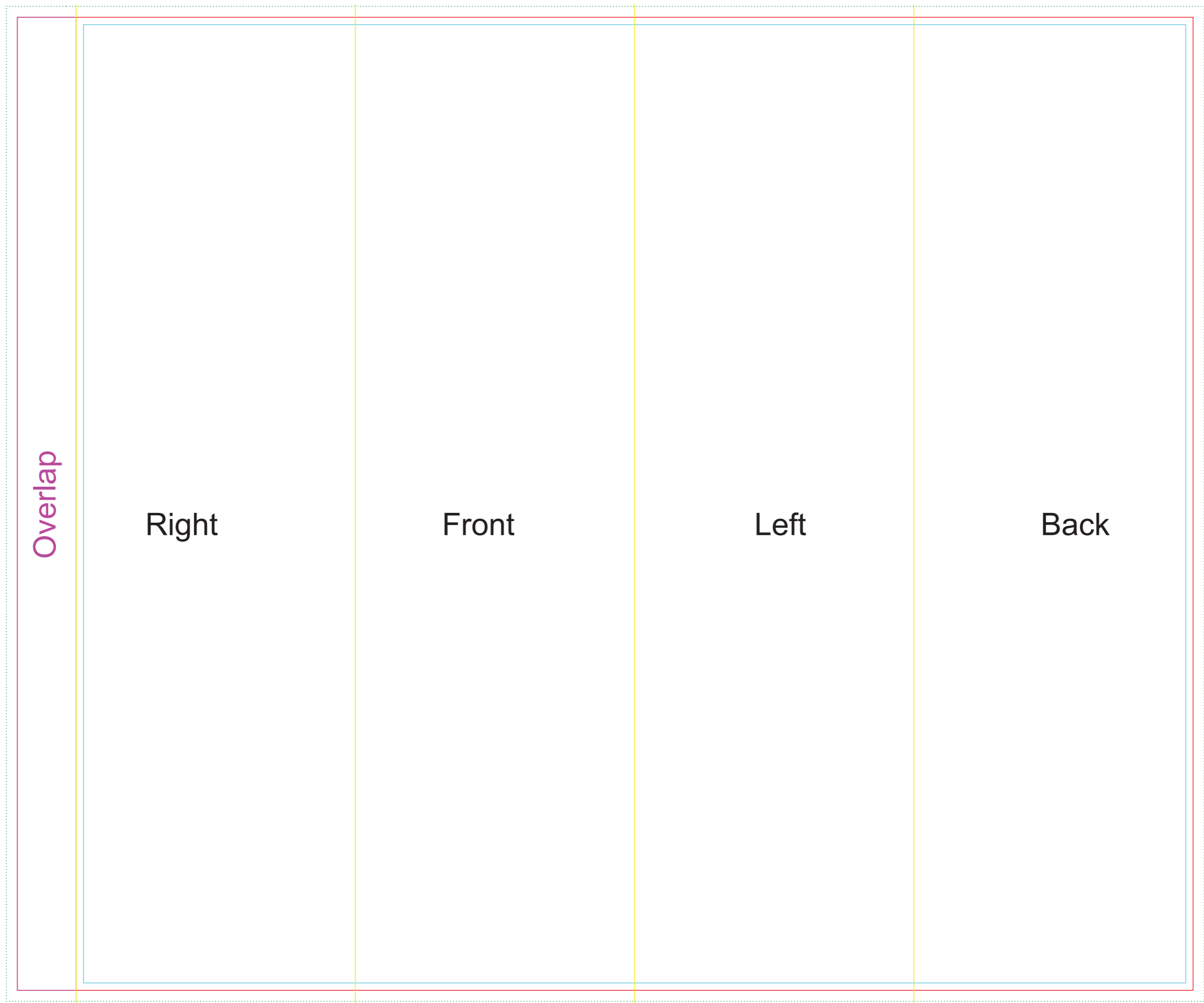
Roll/Screen
Print Area: 200mmL x 100mmH
Actual print size: xxmmL x xxmmH

Digital
Print Area: 30mmL x 85mmH
Actual print size: xxmmL x xxmmH

Digital Rotary - Joined Wrap
Print Area: 223.5mmL x 125mmH
Actual print size: xxmmL x xxmmH

Laser - Min Thickness required is 0.7mm
Print Area: 32mmL x 90mmH
Actual print size: xxmmL x xxmmH

Finished print area - Roll/Screen 
Finished print area - Digital 
Finished print area - Digital Rotary 
Finished print area - Laser 
Approx opposite positions 



Digital Sleeve
Print Area: 320mmL x 265mmH
Actual print size: mmL x mmH

Finished print area ————
Max print area for copy & text ————
Bleed Requirement - 2mm
Folds ————