

Customer
Logo

LL1028 Indiana Coffee Cup

ARTWORK APPROVAL **1**

JOB #

CUST #

QUANTITY:

QTY: Colour:

ADVISORY

Design printed onto tapered products using Rotary Digital will follow the product's shape due to the machine's printing process.

SCREEN PRINT 

DIGITAL PRINT 

LASER ENGRAVE 

ROTARY DIGITAL 

COLOUR FUSION 

DECORATION SIZE

SCREEN PRINT

Print Area: 240mmL x 40mmH

Actual print size:

DIGITAL PRINT

Print Area: 30mmL x 50mmH

Actual print size:

COLOUR FUSION

Print Area: 50mmL x 50mmH

Actual print size:

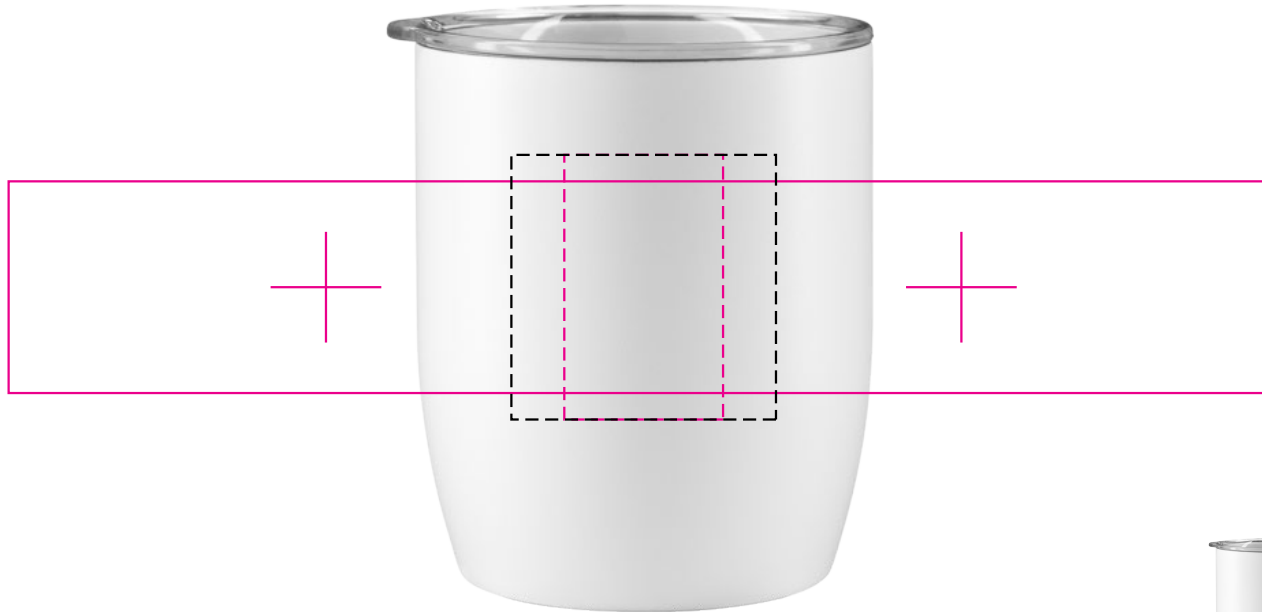
ROTARY DIGITAL PRINT - JOINED WRAP

Print Area: xxmmL x xxmmH

Actual print size:

Finished print area - Screen Print	
Finished print area - Colour Fusion	
Finished print area - Rotary Digital	
Finished print area - Digital Print	
Opposite Positions	

Below is 70% of the actual size



SCREEN PRINT 

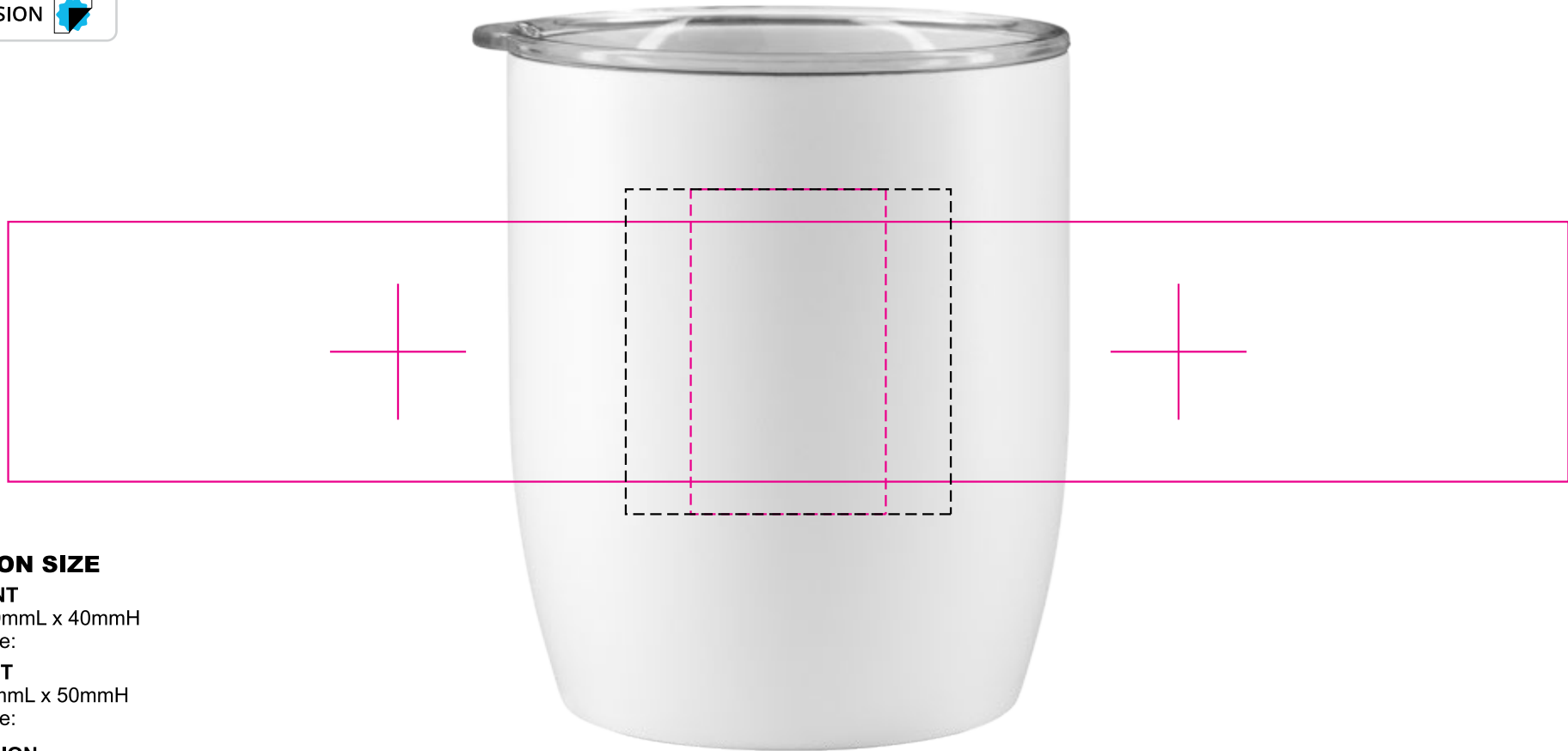
DIGITAL PRINT 

LASER ENGRAVE 

ROTARY DIGITAL 

COLOUR FUSION 

Below is the actual size



DECORATION SIZE

SCREEN PRINT

Print Area: 240mmL x 40mmH

Actual print size:

DIGITAL PRINT

Print Area: 30mmL x 50mmH

Actual print size:

COLOUR FUSION

Print Area: 50mmL x 50mmH

Actual print size:

ROTARY DIGITAL PRINT - JOINED WRAP

Print Area: xxmmL x xxmmH

Actual print size:

Finished print area - Screen Print	
Finished print area - Colour Fusion	
Finished print area - Rotary Digital	
Finished print area - Digital Print	
Opposite Positions	