



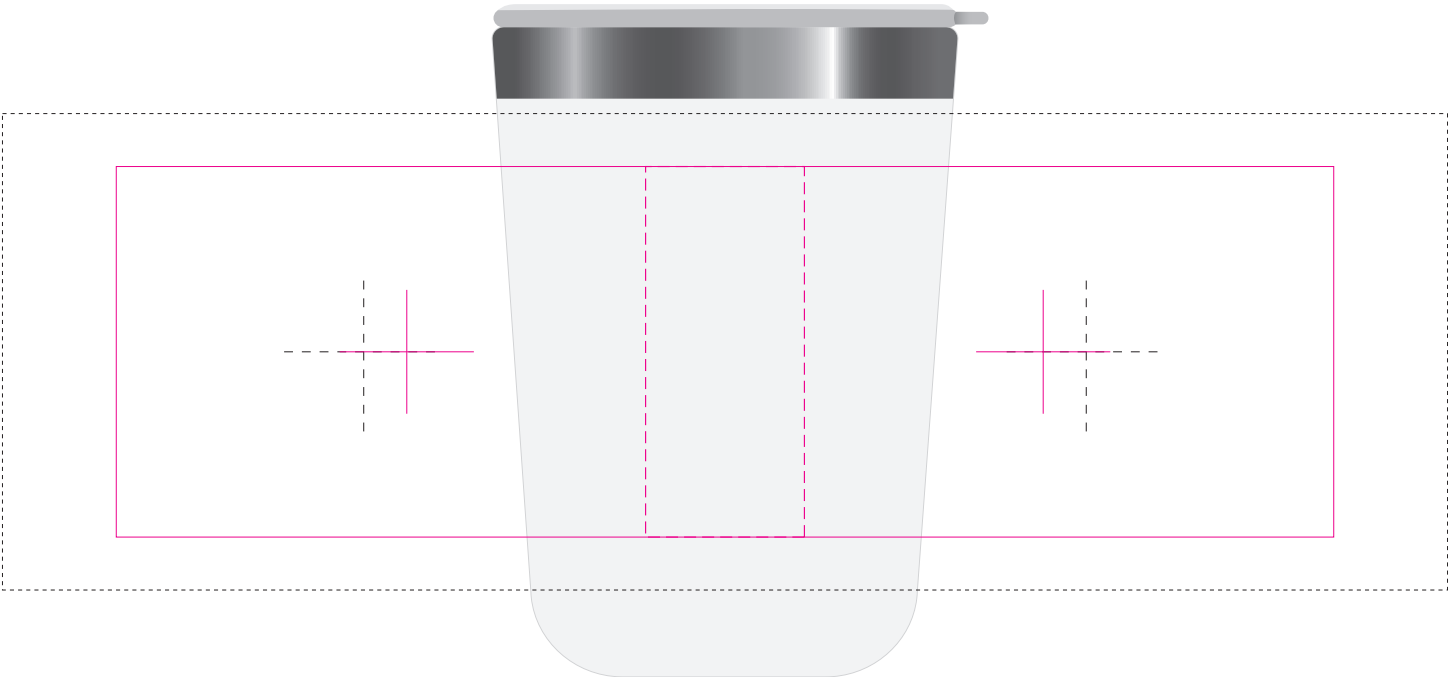


LL1023 - Rizz Coffee Cup - Black/Black, Navy Blue/Black, White

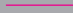

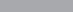

- Rotary Screen  PMS XXXc
- Laser Engrave 
- Rotary Digital 
- CMYK Direct Digital 

Designs printed onto tapered products using Rotary Digital will follow the shape of the product due to the machines printing process.

Below showing at approx 60% of size



- Digital Rotary - Joined Wrap**
Print Area: 273mmL x 90mmH
Actual print size: xxmmL x xxmmH
- Digital/Laser**
Print Area: 30mmL x 70mmH
Actual print size: xxmmL x xxmmH
- Rotary Screen**
Print Area: 230mmL x 70mmH
Actual print size: xxmmL x xxmmH

Finished print area - Roll/Screen	
Finished print area - Digital/Laser	
Finished print area - Digital Rotary	
Approx opposite positions	

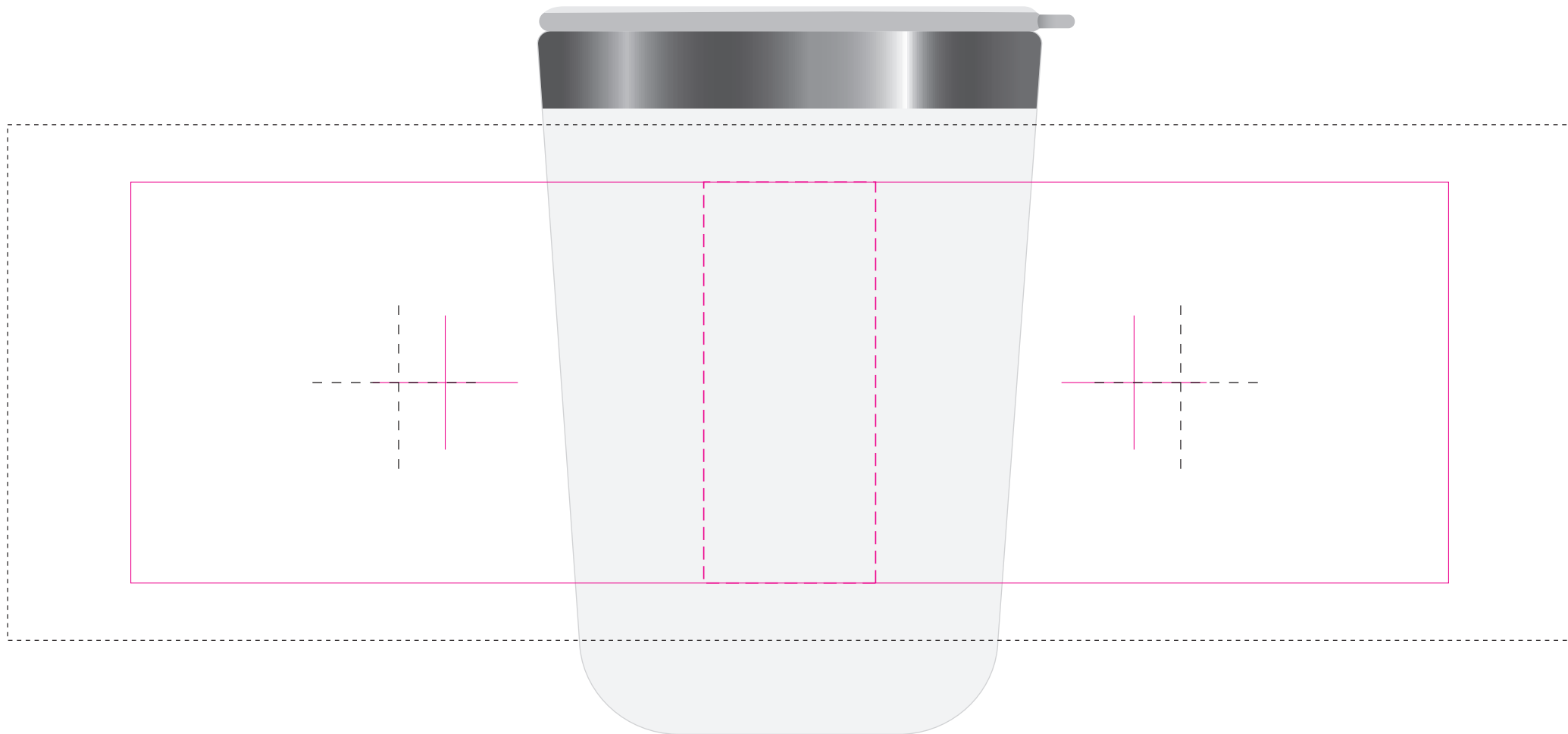


Rotary Screen  PMS
XXXc

Laser Engrave 

Rotary Digital 

CMYK Direct Digital 



Digital Rotary - Joined Wrap

Print Area: 273mmL x 90mmH

Actual print size: xxmmL x xxmmH

Digital/Laser

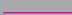
Print Area: 30mmL x 70mmH


Actual print size: xxmmL x xxmmH


Rotary Screen

Print Area: 230mmL x 70mmH

Actual print size: xxmmL x xxmmH

Finished print area - Roll/Screen 

Finished print area - Digital/Laser 

Finished print area - Digital Rotary 

Approx opposite positions 