

Logo Here

Job # XXXXXX
Cust # XXXX-XC

LL0980 - Cosy Stainless Steel Drink Cooler - Matte Black, Gloss White


Roll Print  PMS XXXc

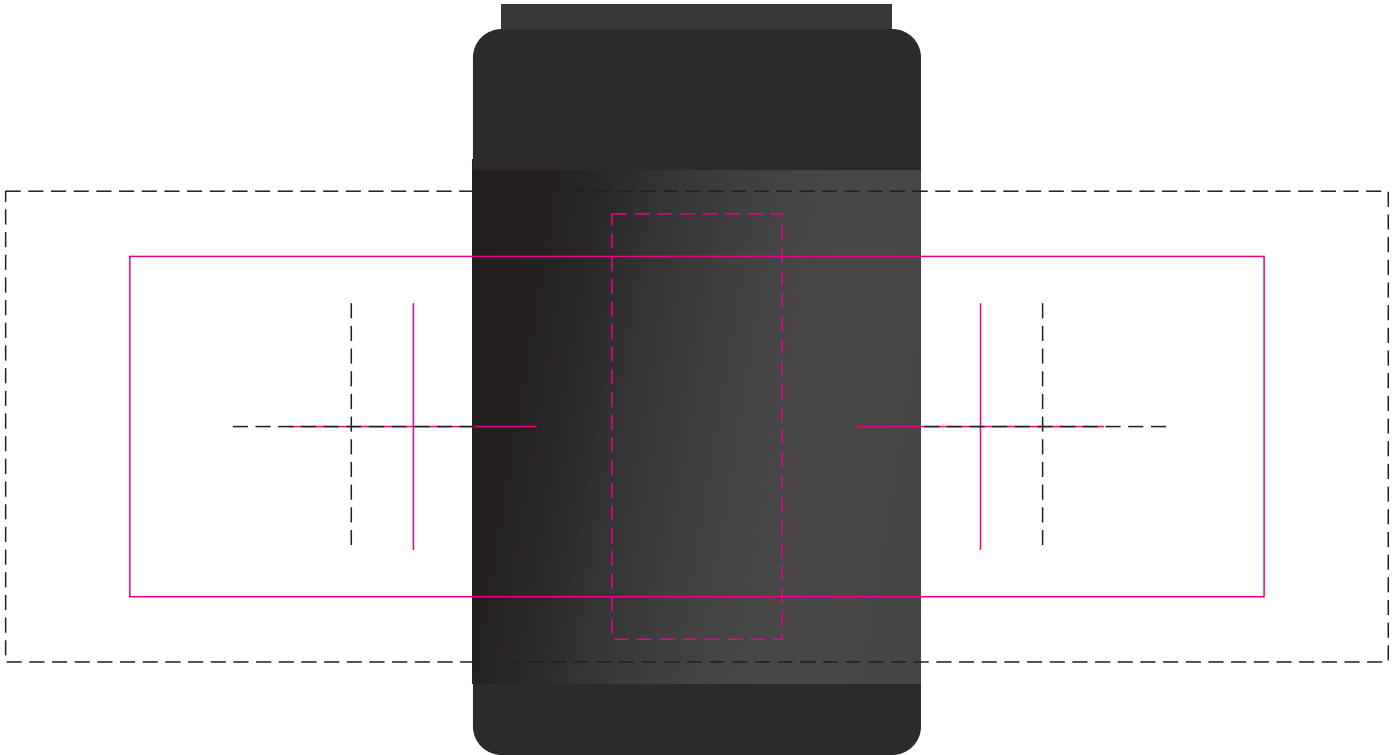
Special icons if required

CMYK Direct Digital 

Below is 70% of actual size

Rotary Digital 

Laser Engrave 



Below is 30% of actual size



Roll/Screen


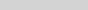
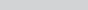
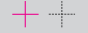
Print Area: 200mmL x 60mmH
Actual print size: xxmmL x xxmmH

Digital/Laser

Print Area: 30mmL x 75mmH
Actual print size: xxmmL x xxmmH

Digital Rotary - Joined Wrap

Print area: 243.79mmL x 83mmH
Actual print size: xxmmL x xxmmH


Finished print area - Roll Print 
 Finished print area - Digital/Laser 
 Finished print area - Digital Rotary 
 Approx Opposite Positions 

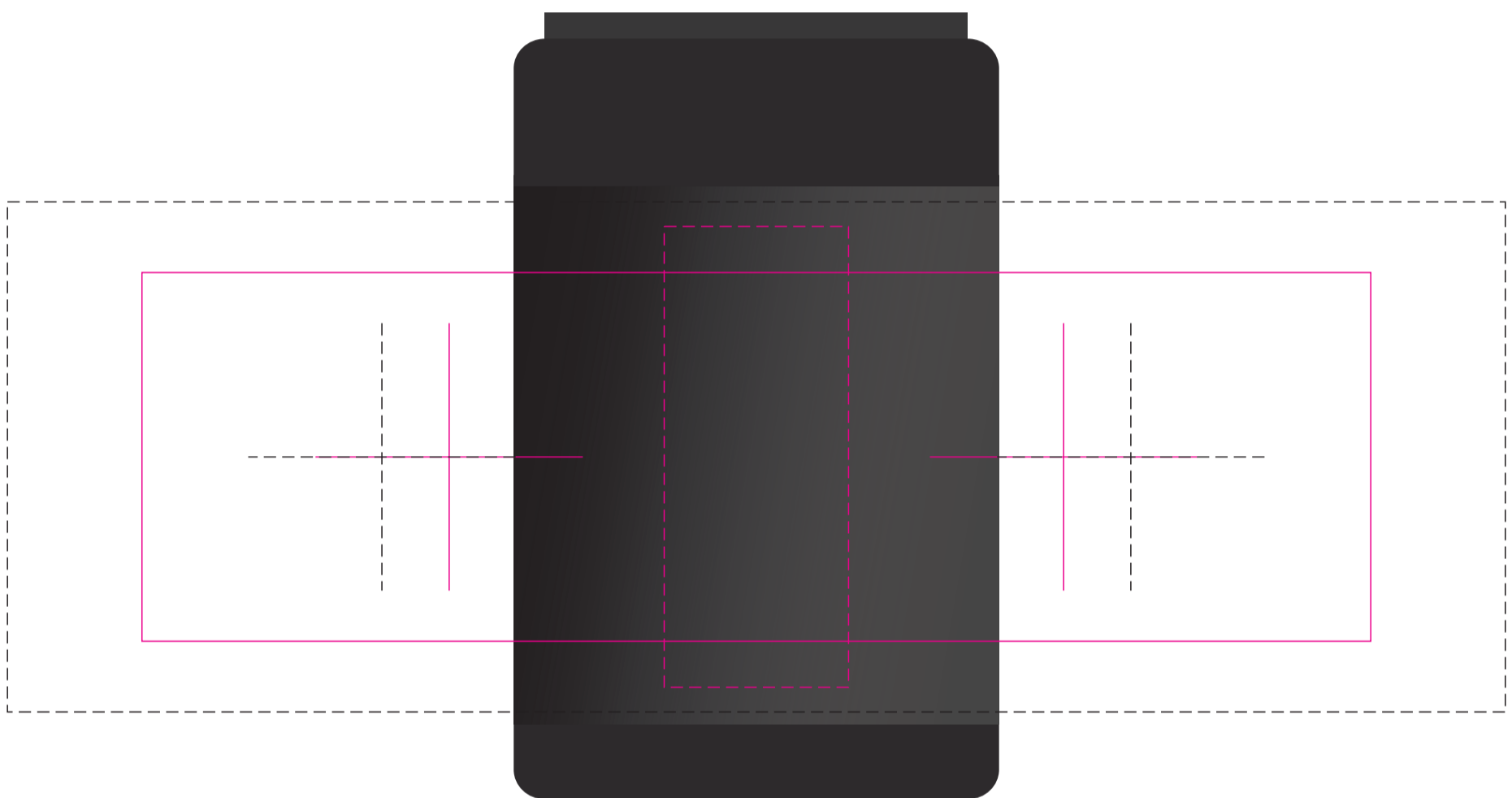
INTERNAL USE ONLY INT: _____ Rpt SO: _____ Rpt Pte: _____ New Pte: _____ U/P Int: _____ R/P Int: _____
 Prep: _____ Prt Int: _____ Info: _____ FS STK: _____
 QC: _____ Q: _____ S: _____ E: _____ R: _____ PHOTO Int: _____ Total Ctns: _____ Total wt (kgs) _____
 Ctns: _____ Wt(kgs): _____ D: _____ Ctns: _____ Wt(kgs): _____ D: _____

Roll Print  PMS
XXXc

CMYK Direct Digital  C M
Y K

Rotary Digital  C M
Y K

Laser Engrave 



Roll/Screen


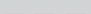
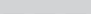
Print Area: 200mmL x 60mmH
Actual print size: xxmmL x xxmmH

Digital/Laser

Print Area: 30mmL x 75mmH
Actual print size: xxmmL x xxmmH

Digital Rotary - Joined Wrap

Print area: 243.79mmL x 83mmH
Actual print size: xxmmL x xxmmH

Finished print area - Roll Print 
Finished print area - Digital/Laser 
Finished print area - Digital Rotary 
Approx Opposite Positions 