

LL0440 - Ninja Coffee Cup - White, Red, Dark Blue, Silver, Black

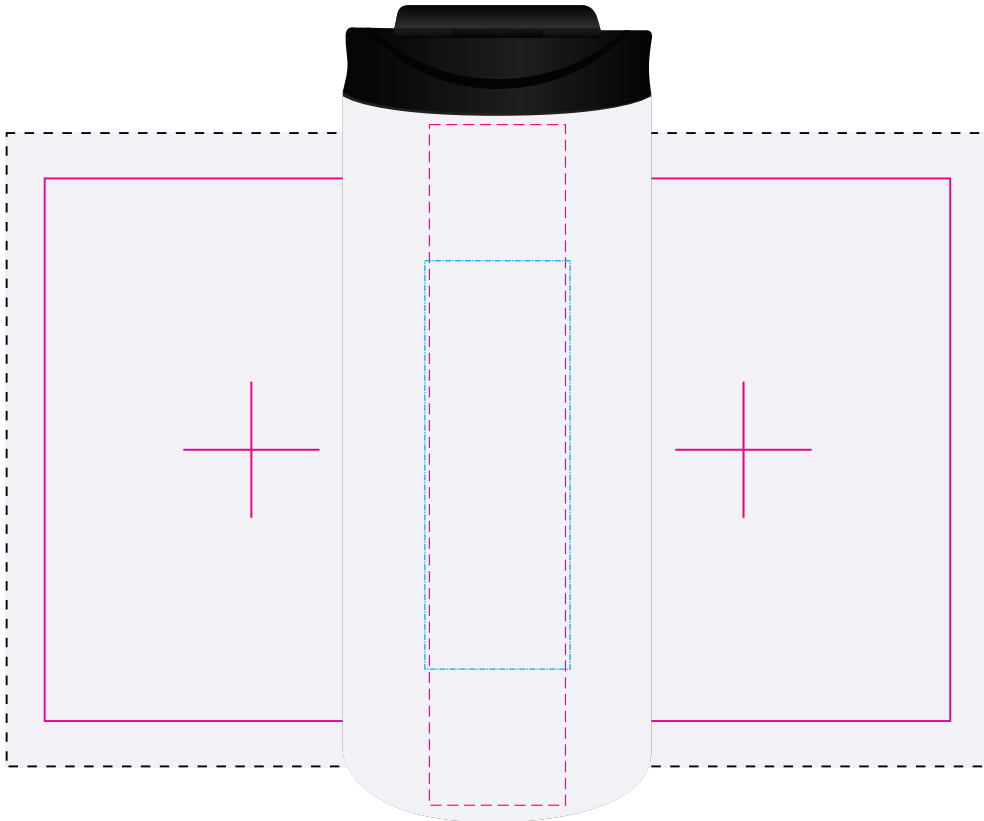
Roll Screen Print PMS XXXc

Below showing at approx 60% of size

Laser Engraved

Direct Digital C M Y K

Rotary Digital C M Y K



Roll/Screen

Print Area: 200mmL x 120mmH
Actual print size: xxmmL x xxmmH

Digital

Print Area: 30mmL x 150mmH
Actual print size: xxmmL x xxmmH

Digital Rotary - Joined Wrap

Print area: 216.7mmL x 140mmH
Actual print size: xxmmL x xxmmH

Laser - Min Thickness required is 0.7mm

Print Area: 32mmL x 90mmH
Actual print size: xxmmL x xxmmH

Finished print area - Roll/Screen	— — — —
Finished print area - Digital	- - - -
Finished print area - Digital Rotary	— — — —
Finished print area - Laser	— — — —
Approx opposite positions	+ +

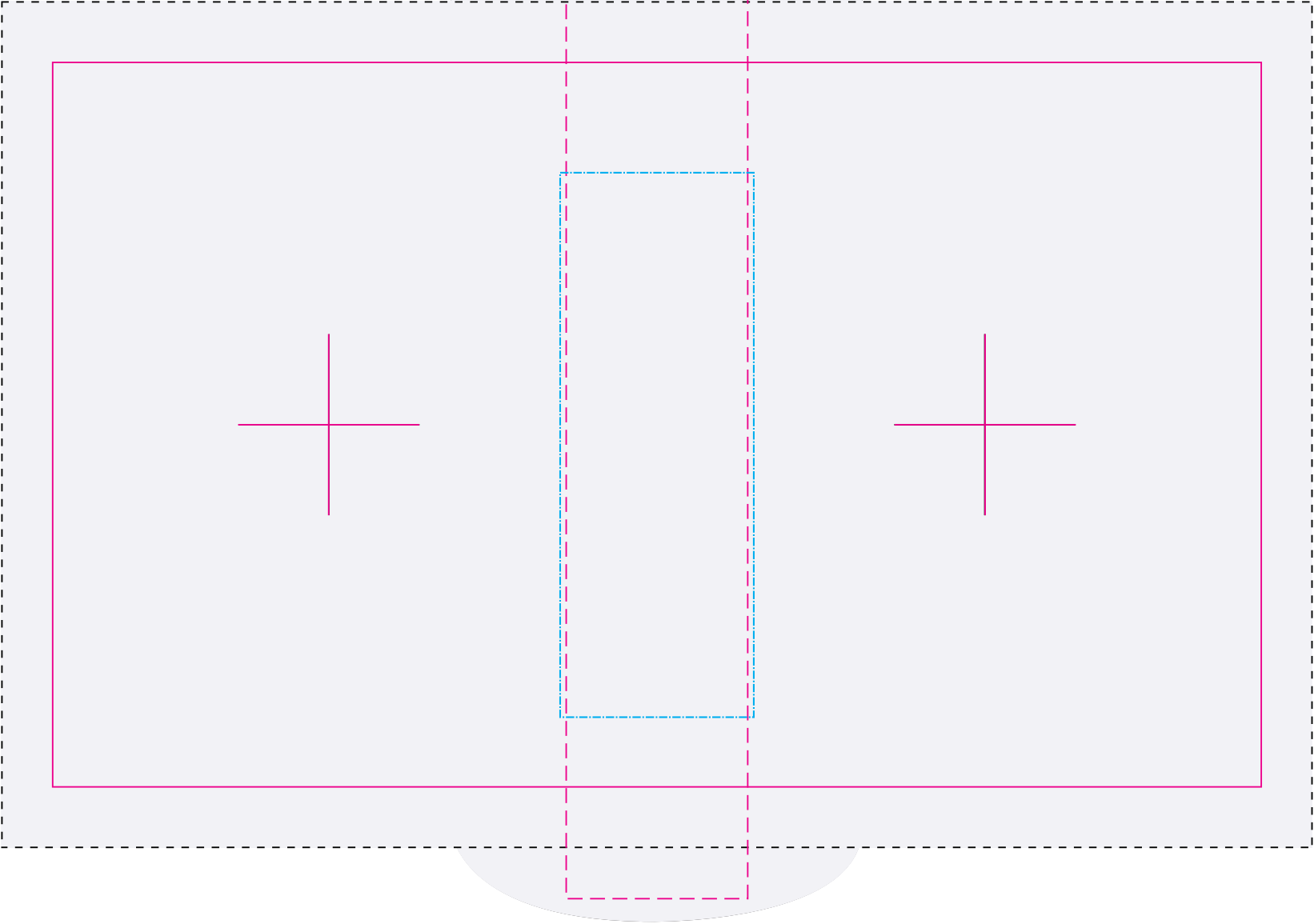


Roll Screen Print  PMS XXXc

Laser Engraved

Direct Digital 

Rotary Digital 



Roll/Screen

Print Area: 200mmL x 120mmH
Actual print size: xxmmL x xxmmH

Digital






Print Area: 30mmL x 150mmH
Actual print size: xxmmL x xxmmH

Digital Rotary - *Joined Wrap*

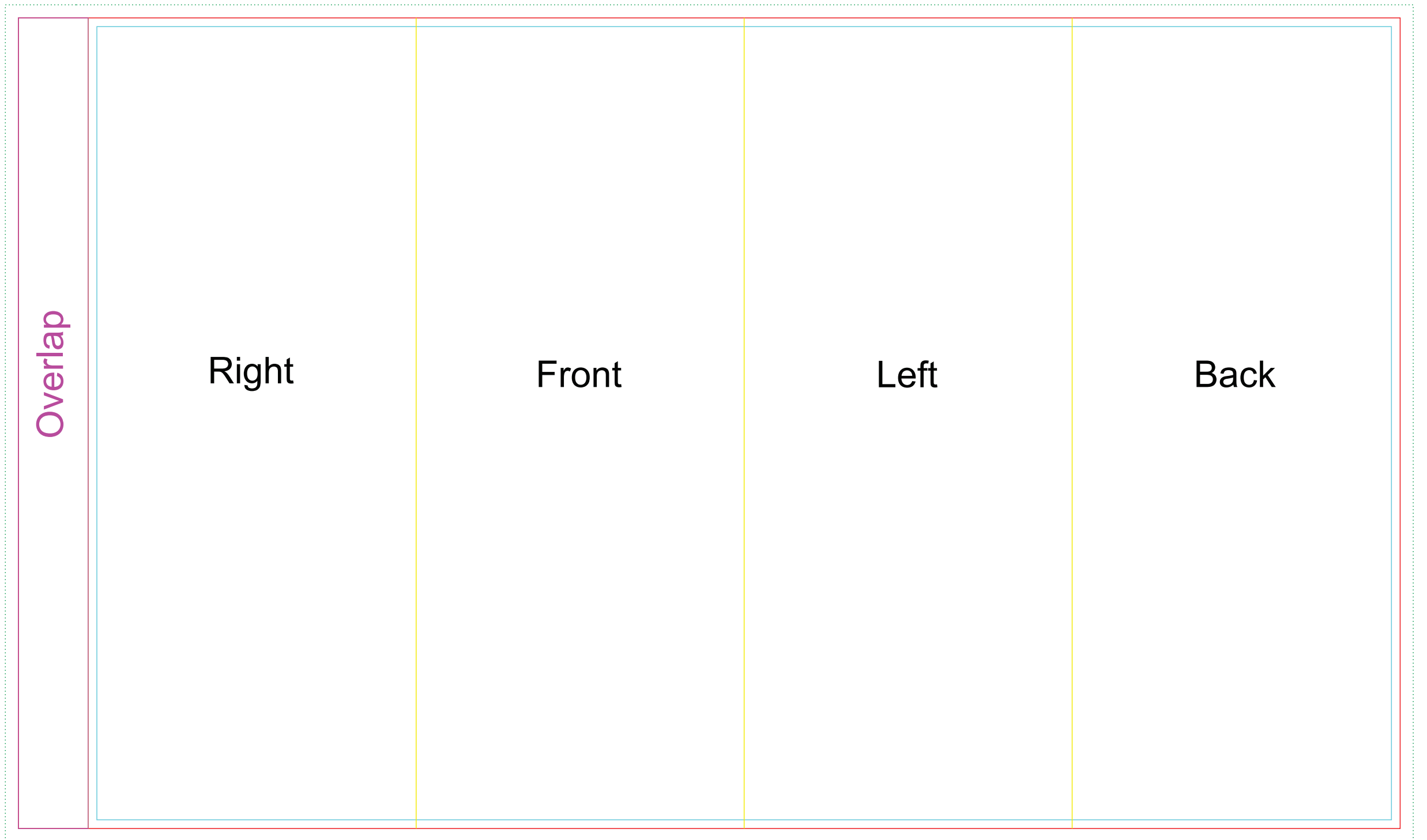
Print area: 216.7mmL x 140mmH
Actual print size: xxmmL x xxmmH

Laser - *Min Thickness required is 0.7mm*

Print Area: 32mmL x 90mmH
Actual print size: xxmmL x xxmmH

Finished print area - Roll/Screen	
Finished print area - Digital	
Finished print area - Digital Rotary	
Finished print area - Laser	
Approx opposite positions	





Sleeve
Print area: 317mmL x 186mmH
Actual print size: xxmmL x xxmmH