

LL0440 - Ninja Coffee Cup - White, Orange, Red, Dark Blue, Silver, Black

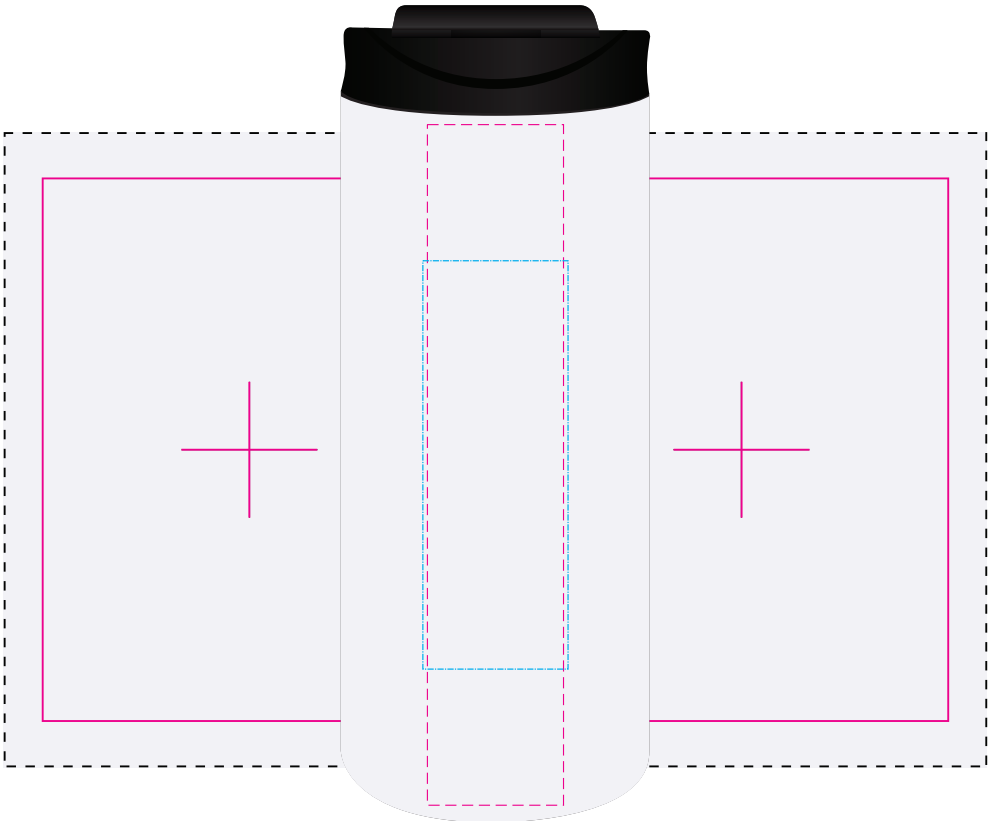
Roll Screen Print  PMS XXXc

Below showing at approx 60% of size

Laser Engraved

Direct Digital 

Rotary Digital 



**Roll/Screen**

Print Area: 200mmL x 120mmH  
Actual print size: xxmmL x xxmmH

**Digital**

Print Area: 30mmL x 150mmH  
Actual print size: xxmmL x xxmmH


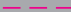



**Digital Rotary - Joined Wrap**

Print area: 216.7mmL x 140mmH  
Actual print size: xxmmL x xxmmH

**Laser - Min Thickness required is 0.7mm**

Print Area: 32mmL x 90mmH  
Actual print size: xxmmL x xxmmH



Finished print area - Roll/Screen	
Finished print area - Digital	
Finished print area - Digital Rotary	
Finished print area - Laser	
Approx opposite positions	

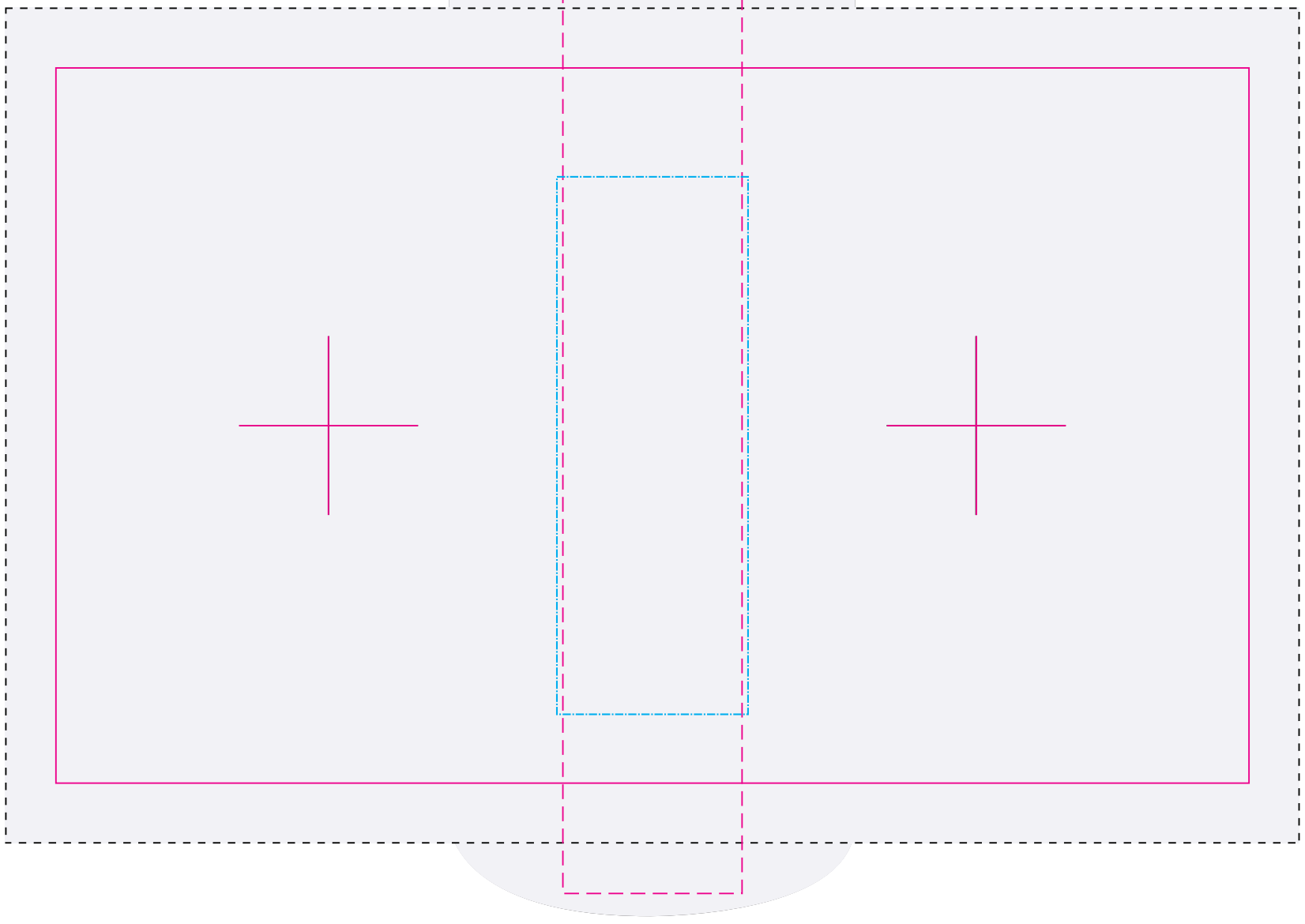
INT: \_\_\_\_\_  
RPT SO: \_\_\_\_\_  
QC: \_\_\_\_\_

Roll Screen Print  PMS XXXc

Laser Engraved

Direct Digital 

Rotary Digital 



**Roll/Screen**

Print Area: 200mmL x 120mmH  
Actual print size: xxmmL x xxmmH

**Digital**






Print Area: 30mmL x 150mmH  
Actual print size: xxmmL x xxmmH

**Digital Rotary - *Joined Wrap***

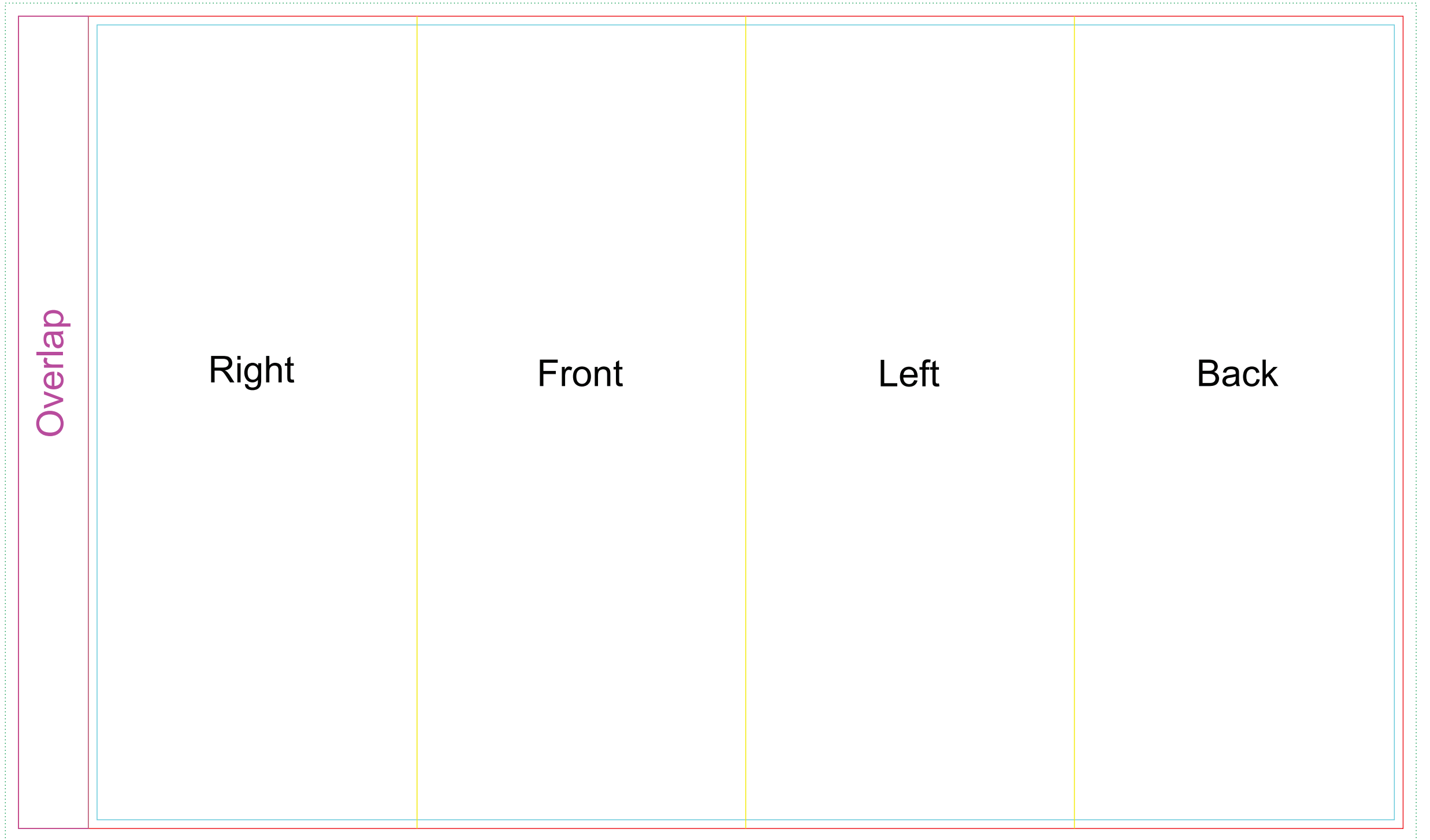
Print area: 216.7mmL x 140mmH  
Actual print size: xxmmL x xxmmH

**Laser - *Min Thickness required is 0.7mm***

Print Area: 32mmL x 90mmH  
Actual print size: xxmmL x xxmmH

Finished print area - Roll/Screen	
Finished print area - Digital	
Finished print area - Digital Rotary	
Finished print area - Laser	
Approx opposite positions	





**Sleeve**  
Print area: 317mmL x 186mmH  
Actual print size: xxmmL x xxmmH